



PROJECT		REF		REV	ITEM CODE	
LOCATION		DATE			PAGE	

SANITARY WARE SPECIFICATION SHEET

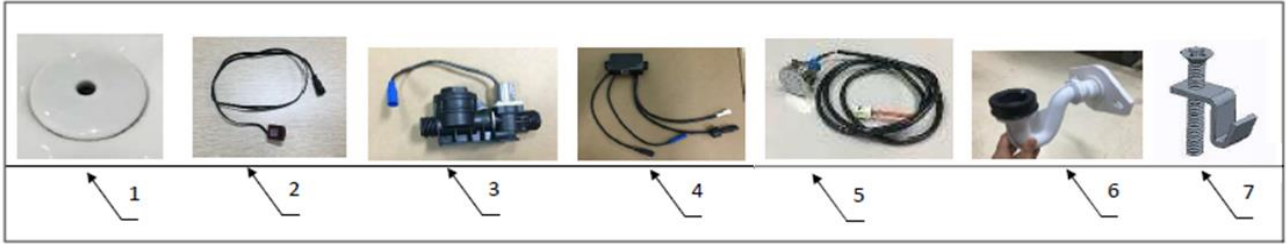
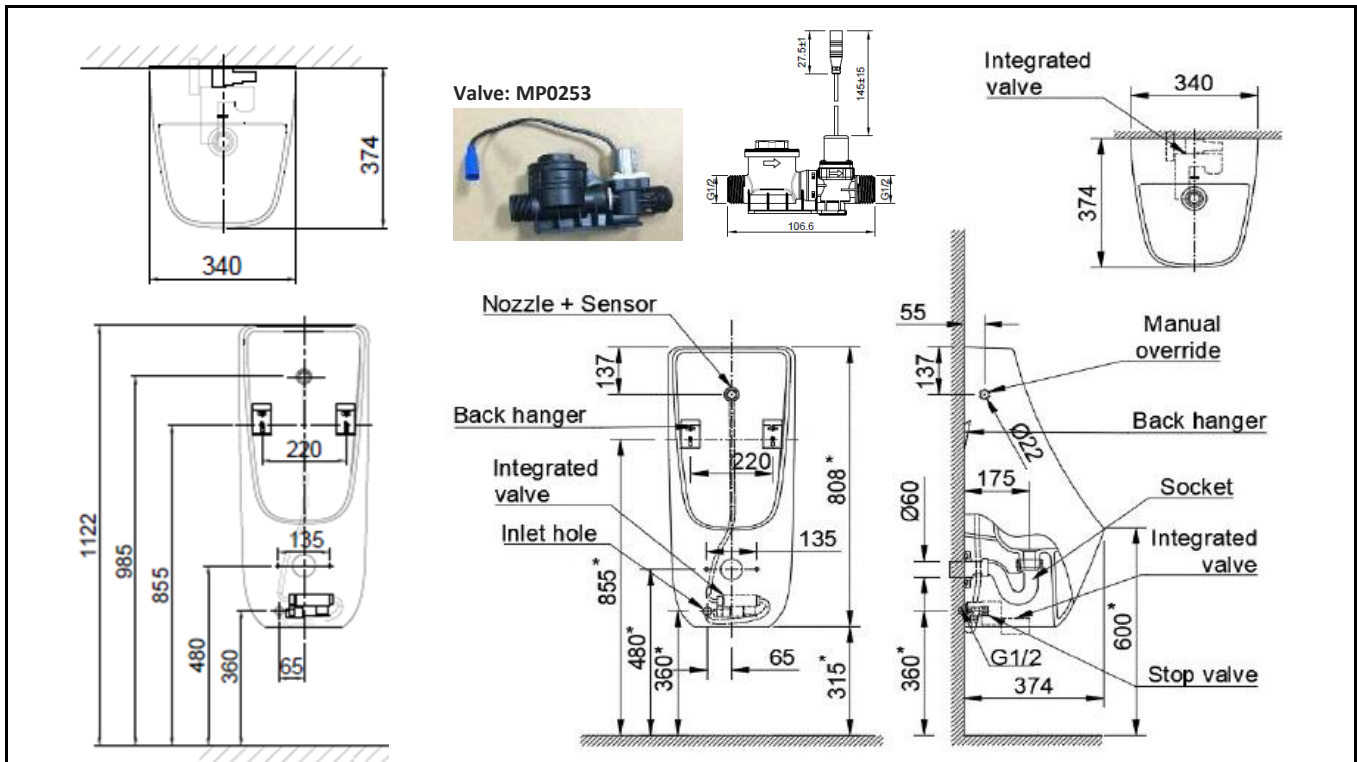
<p>Item Descriptions</p> <p>Inax (Japan) "AutoSENZ" Vitreous china wall hung back inlet sensor urinal bowl with flush valve; built-in inductive auto sensing & manual operated; Aqua Ceramic Technology against stain lasting a century</p>	<p>Dimensions</p> <p>L374 x W340 x H808 mm</p> <p>Model</p> <p>AU-468MO/BW1</p> <p>Finish / Colour</p> <p>Vitreous China / White</p> <p>Manufacturer</p> <p>INAX (Vietnam)</p> <p>Country of Origin</p> <p>Vietnam</p> <p>Source</p> <p>Acme Sanitary Ware Co. Ltd Mr. Eric Wong/ Mr. Wilson Hung</p> <p>Contact Tel/Fax</p> <p>(852) 2388-7171 / (852) 2710-8012</p> <p>E-mail</p> <p>acme@acmesanitary.com.hk</p> <p>Website</p> <p>www.acmesanitary.com.hk</p>	<p style="text-align: center;">Illustration/ Drawing</p> <div style="text-align: center;"> </div>
<p>Power Supply : DC 6V / AC 220V/50Hz Power box model: DC 6V AAA Alkaline battery Battery Box (1009379990) / AC Power Box (1009409990)</p> <ul style="list-style-type: none"> AQUACERAMIC protection W/ Manual Override (ceramic cover for drainage hole) 2 Types of flushing activation: Auto Sensing & Manual Operation Sensor Type IR sensor - Sense Flow 24 hours auto flush & stadium mode <ul style="list-style-type: none"> Demand water pressure: 0.07 ~ 0.75MPa Flush Volume: 0.5LPF Rimless With Spreader Environment Protection: Urinal will flush once after idling for 24 hours Stadium Mode: If usage frequency is high (i.e less than 2s time interval between users), the urinal will flush once every 2 minutes instead. Cleaning Mode: Temporary suspend IR sensing function and button flushing (if applicable) for 10 minutes; facilitating daily cleaning process. Stadium Mode: If the usage frequency of the urinal is high (i.e. less than 2 seconds interval between users), the urinal will flush once every 2 minutes instead. Solenoid Valve Type: Bistable DC 6V/20ms Sensing Distance: Default 40cm (40-70 adjustable) 20 ms electronic pulse signal drives solenoid valve open / close, low power consumption solenoid valve 		<div style="text-align: center;"> </div> <div style="display: flex; justify-content: space-around; margin-top: 20px;"> <div style="text-align: center;"> </div> <div style="text-align: center;"> </div> </div>

* All information of the above is for the reference only. No prior notice is made if any changes.



PROJECT		REF		REV	ITEM CODE	
LOCATION		DATE			PAGE	

SANITARY WARE SPECIFICATION SHEET



AU-468MO/BW1

#	spare part Article NO.	Description	Supplier (VN) Code	Q'ty
1	CA0H6401-6DF-30	Urinal Outlet cover	FR.H-64/BW1	1pc
2	MP0252	Sensor head	MP0252	1pcs
3	MP0253	Solenoid valve assy	MP0253	1pcs
4	MP0255	Control box	MP0255	1pcs
5	MP0256	Manual Override button	MP0256	1set
6	M120165	Trap	M120165	1set
7	M120166	Anti-thief strainer	M120166	1set

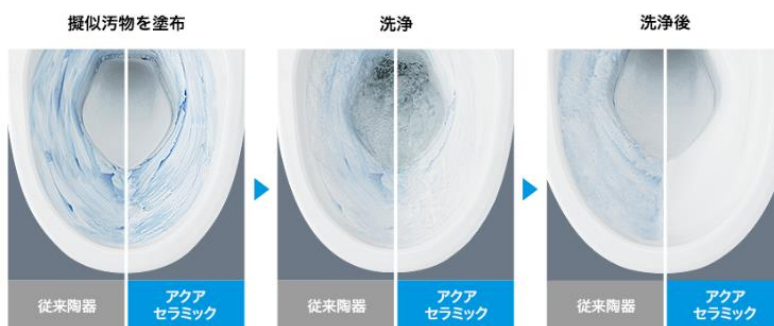
* All information of the above is for the reference only. No prior notice is made if any changes.

AQUA CERAMIC 潔淨陶瓷技術

AQUA CERAMIC

用水的力量來永保光潔

AQUA Ceramic 潔淨陶瓷技術是陶瓷發展史上的里程碑，這種材質只需簡單的沖洗即可清潔材質表面的頑固污漬。光滑抗汙表面可防止水垢和污漬的形成，確保產品在清潔後可光亮如新。



符合國際標準
抗菌洗手間，安心信賴



徹底沖洗污垢，並利用銀離子的力量，抑制導致黑色污漬的細菌繁殖，可以減少污垢、水漬及氣味。

效果持續超過一百年

假設您每天用清潔刷在同一個地方來回擦洗兩次，即使用清潔刷擦洗約七萬次，經過相當於一百年的摩擦後，Aqua Ceramic 的防污性能也一如新產品般，不會改變。

利用水的「與油互相排斥」特性

糞便中含有的油分，是導致污垢殘留在坐廁上的主因。一種名為 Aqua Ceramic 的新物料，利用水的「與油互相排斥」的特性，可以令水進入污垢和陶瓷之間，直接將污垢托起然後沖走，是一項突破性的技術。

環狀的黑色污漬和坐廁內的污垢水漬，沖水後不會粘附。
只需簡單清洗，便可令坐廁光亮如新，持續一百年。



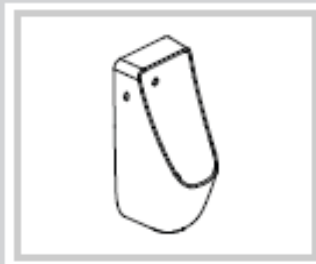
(Aqua Ceramic 的面世) <https://www.youtube.com/watch?v=6Z7txM90GM0&feature=youtu.be>



(Aqua Ceramic 的實證) <https://www.youtube.com/watch?v=09PPdToGepo&feature=youtu.be>

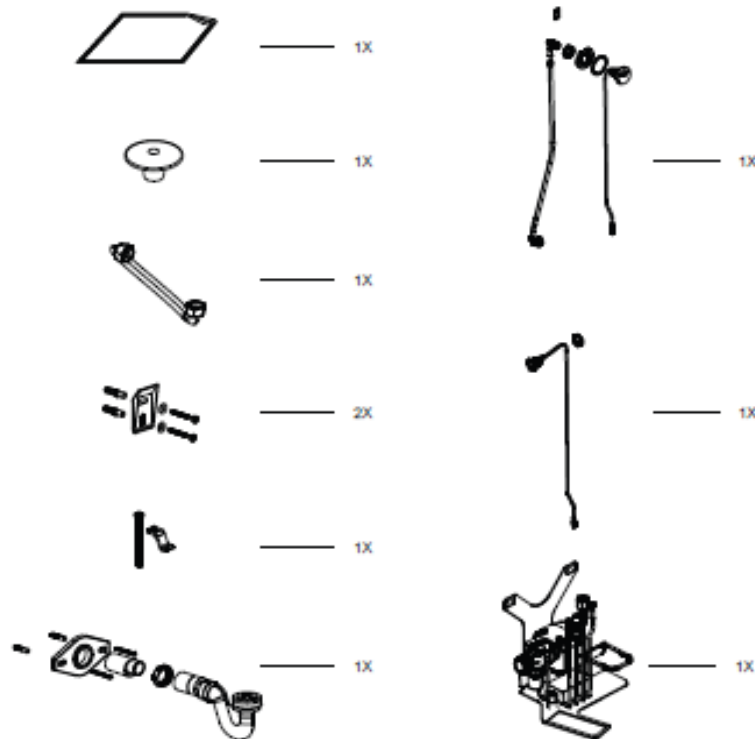
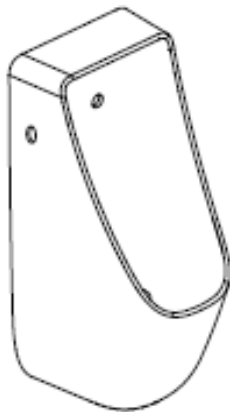


101275BW10

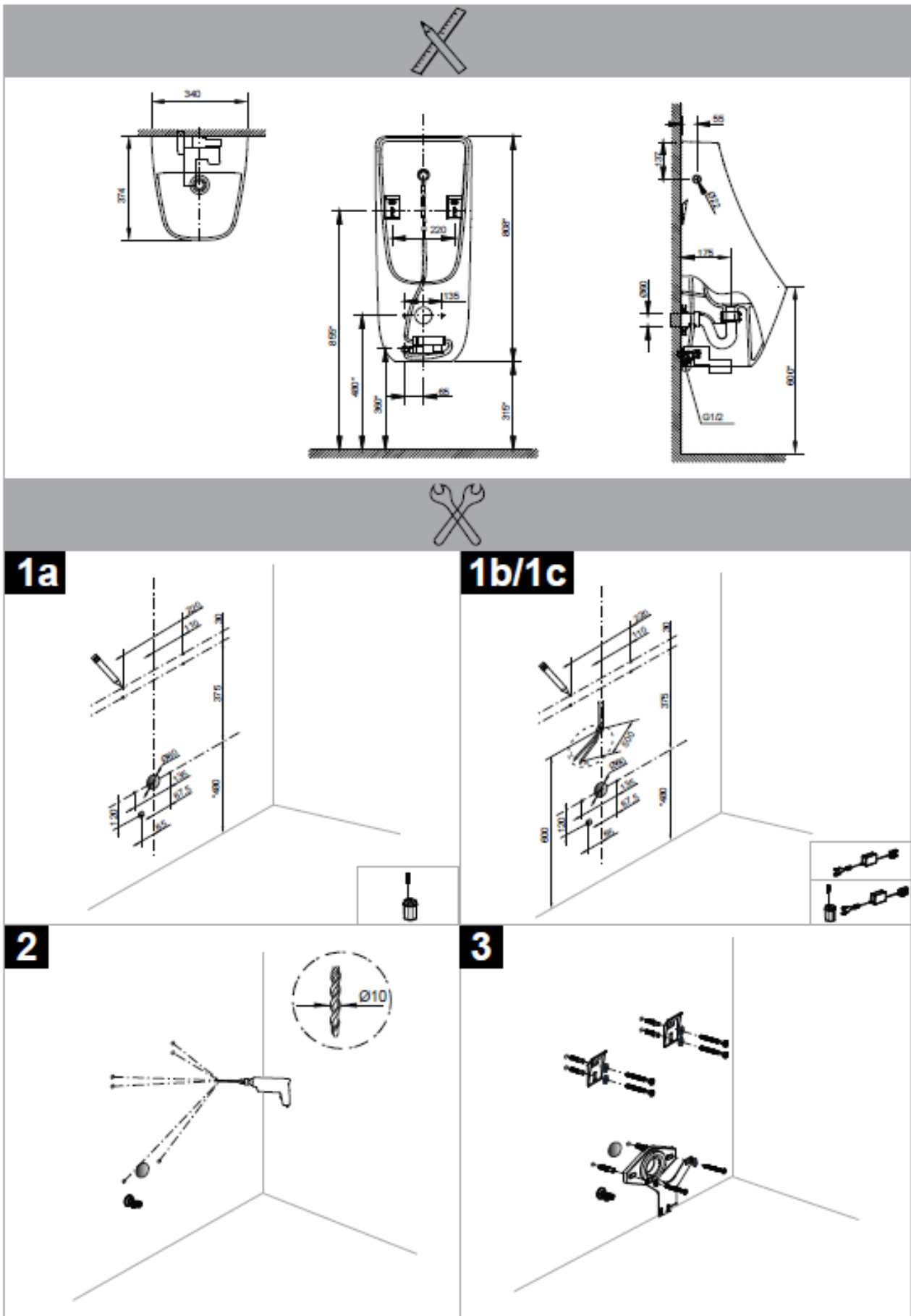


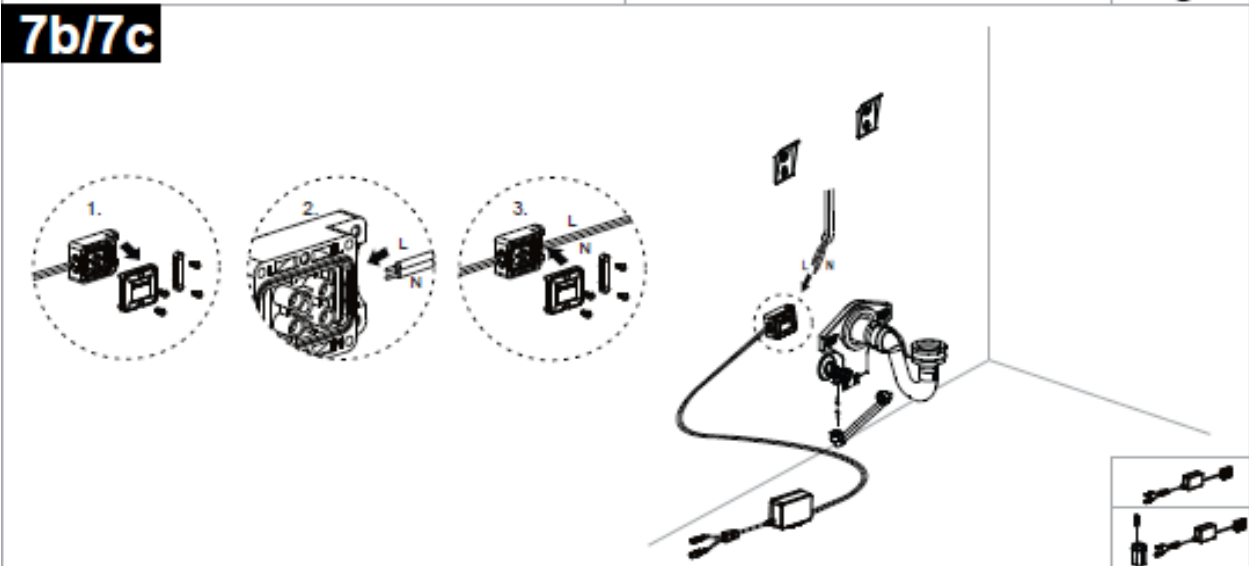
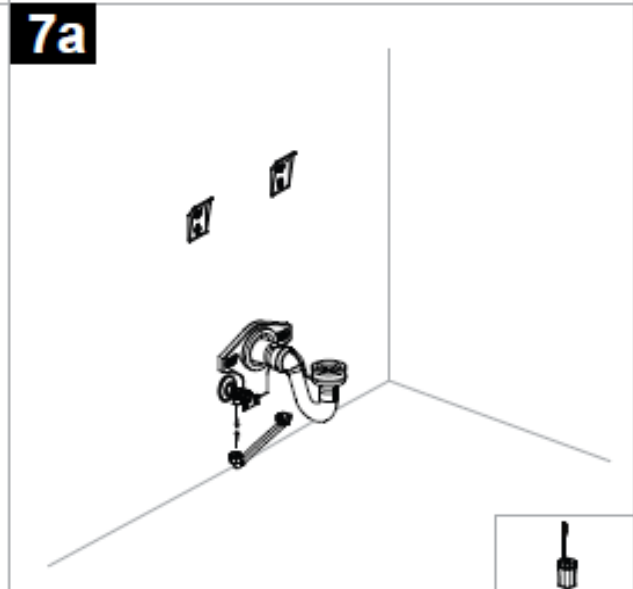
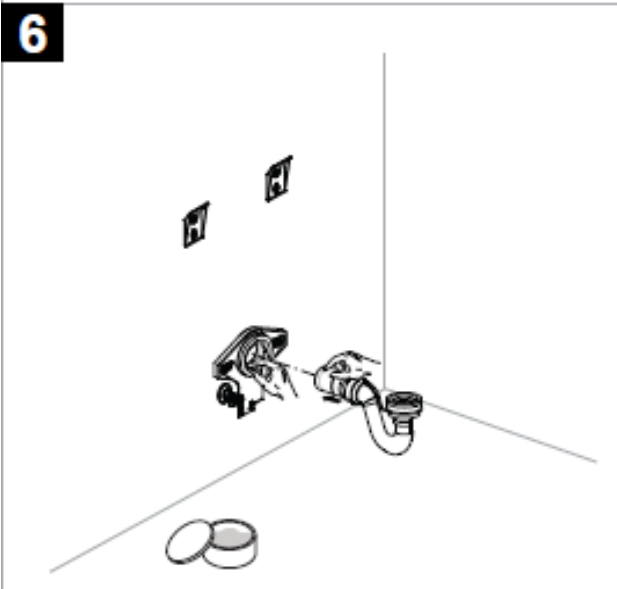
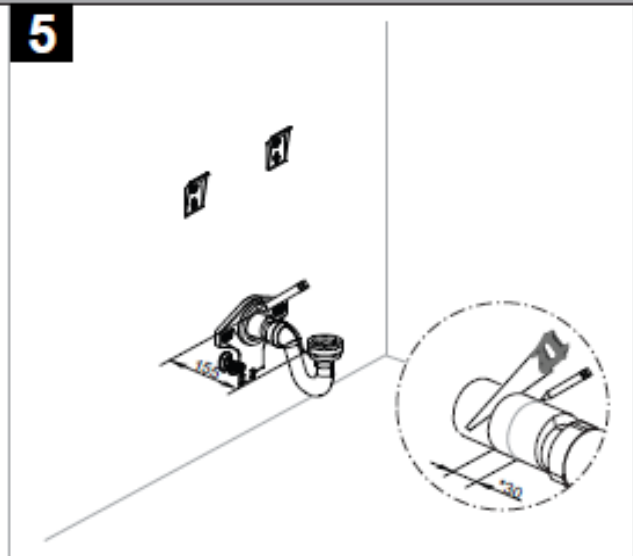
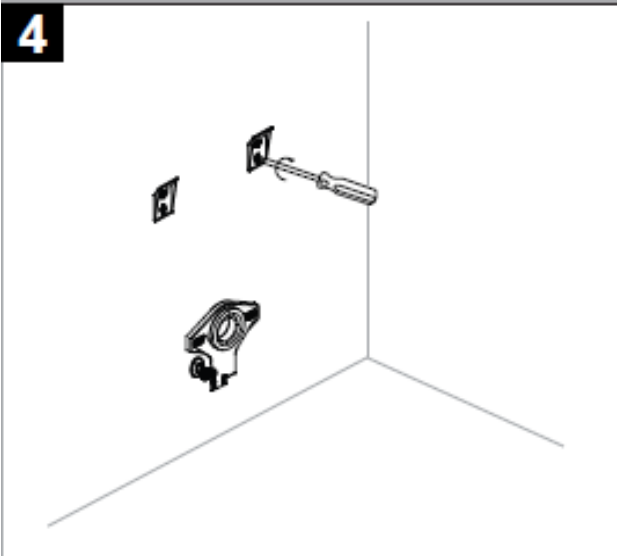
INAX

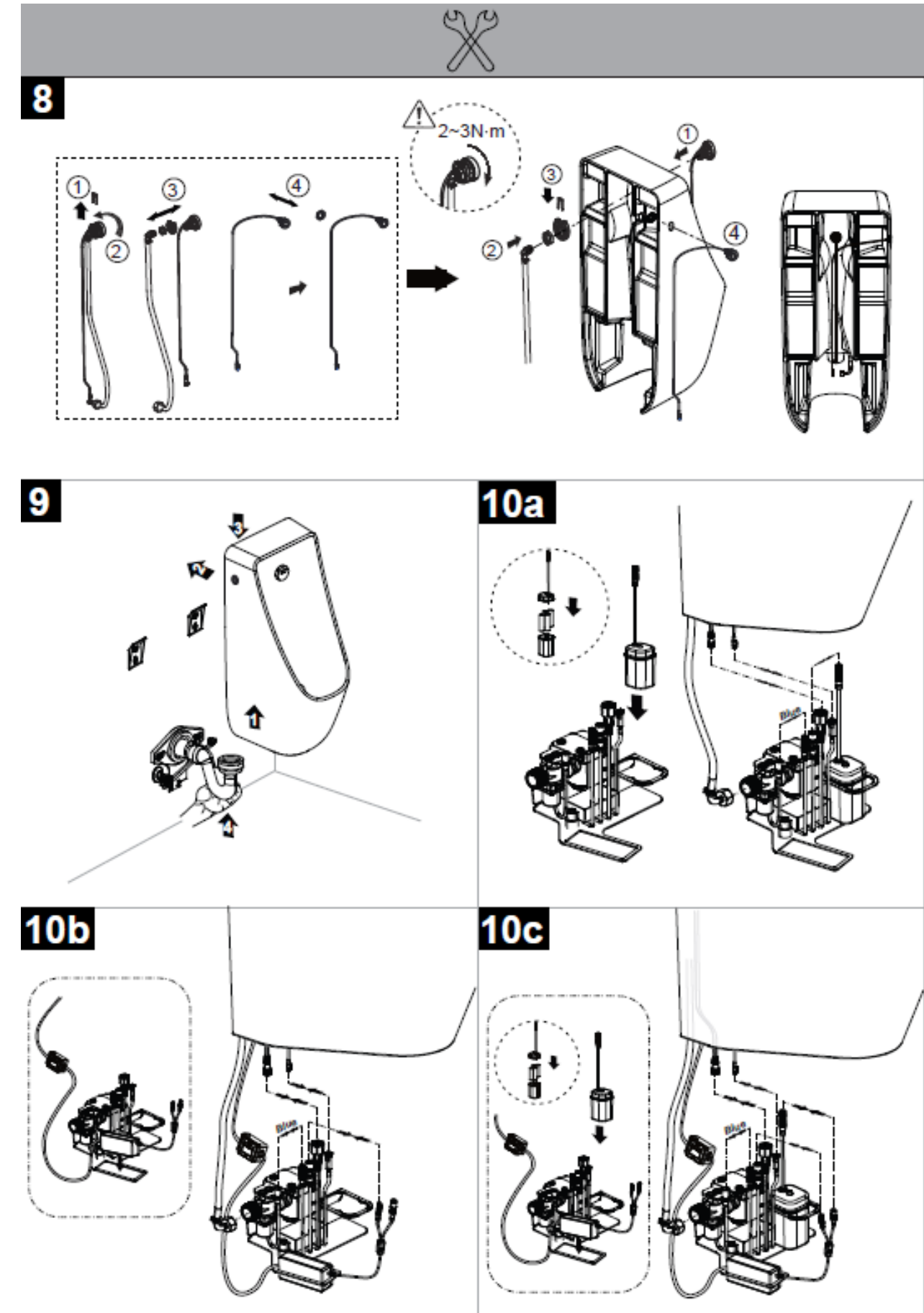
ISO 9001:2015
ISO 14001:2015

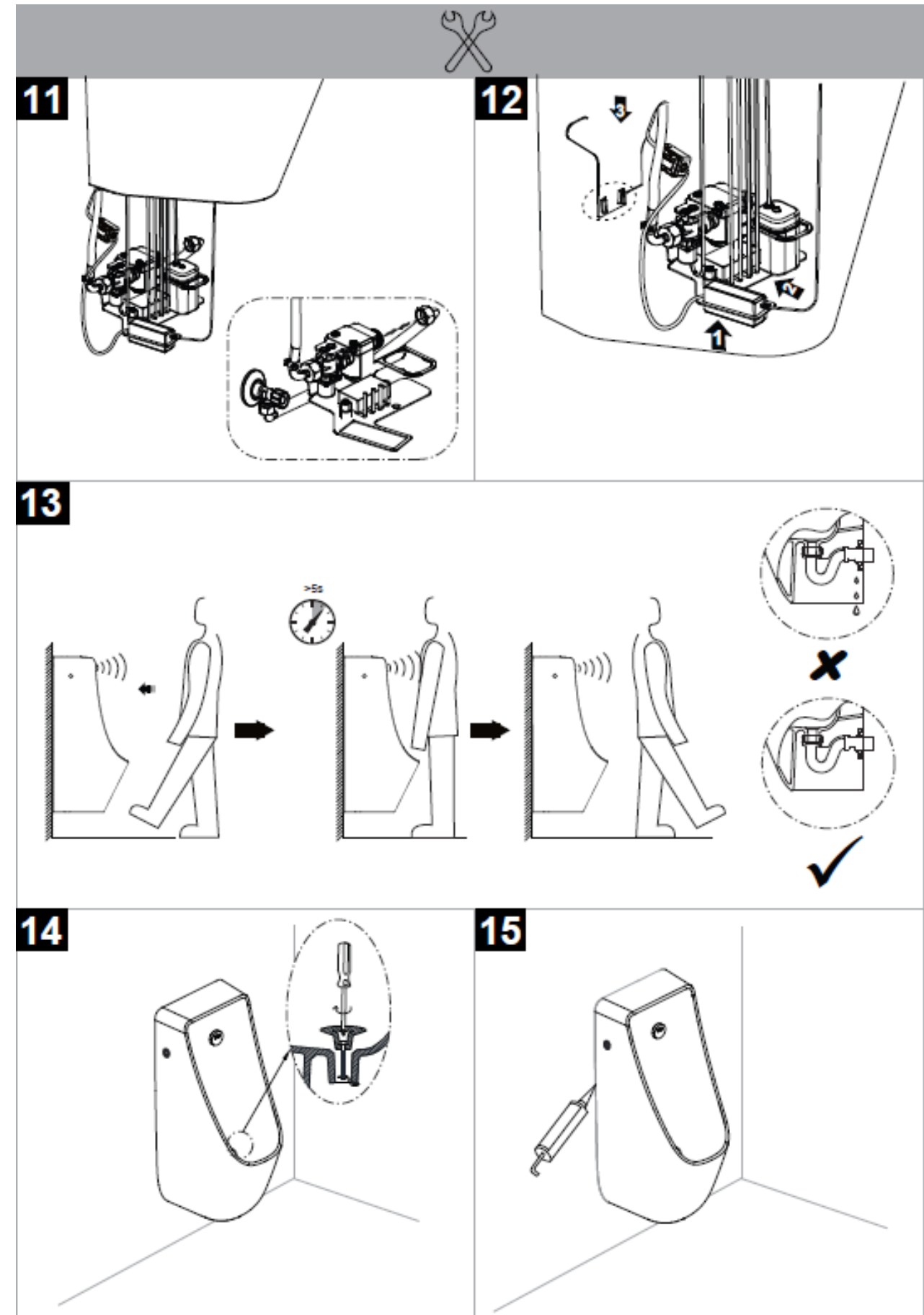


Option A	DC		1009409990
Option B	AC		1009379990
Option C	DC+AC		1009379990 1009409990





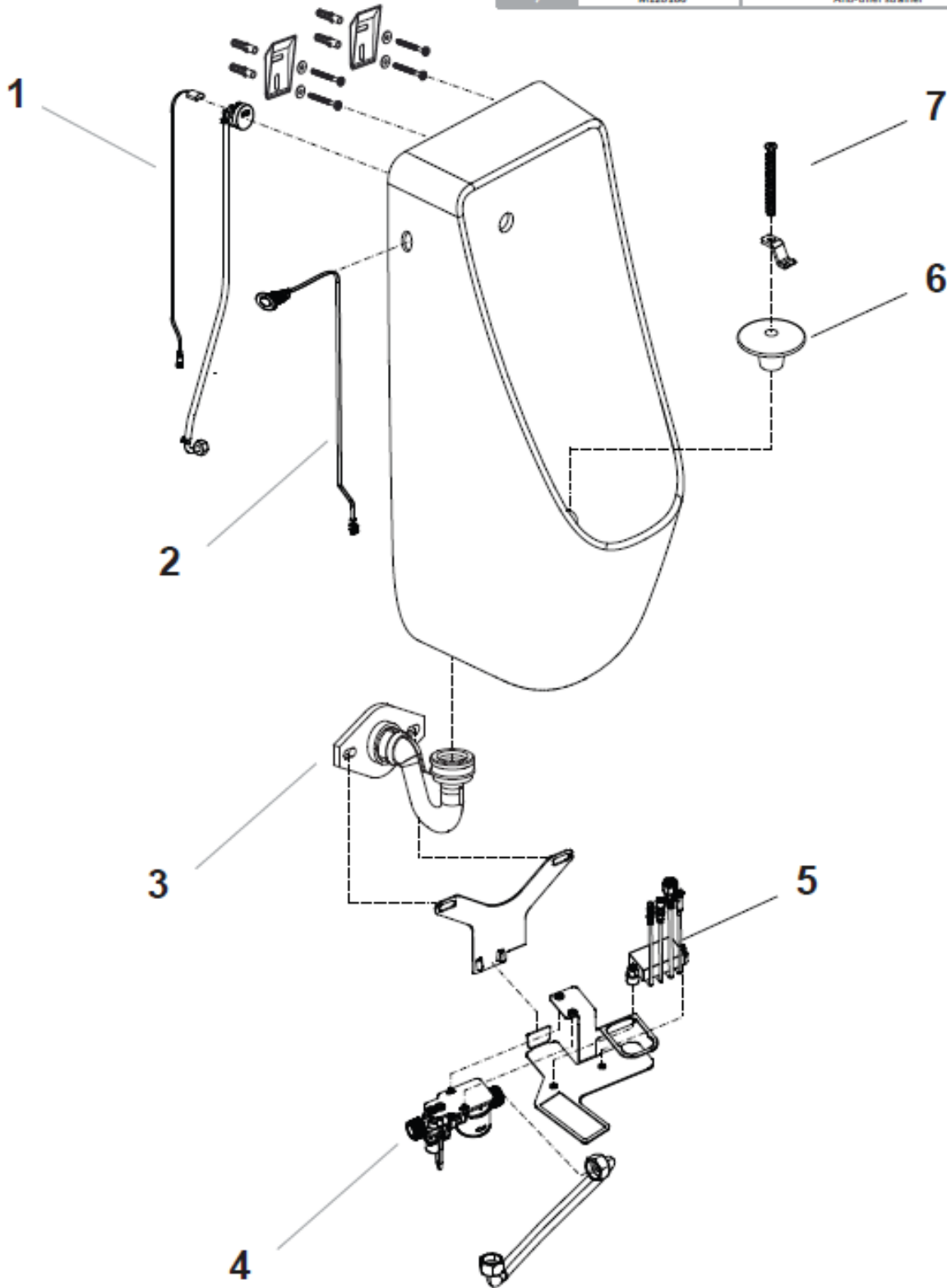



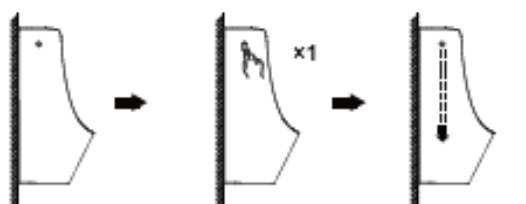
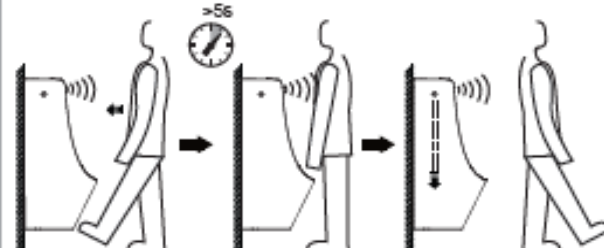
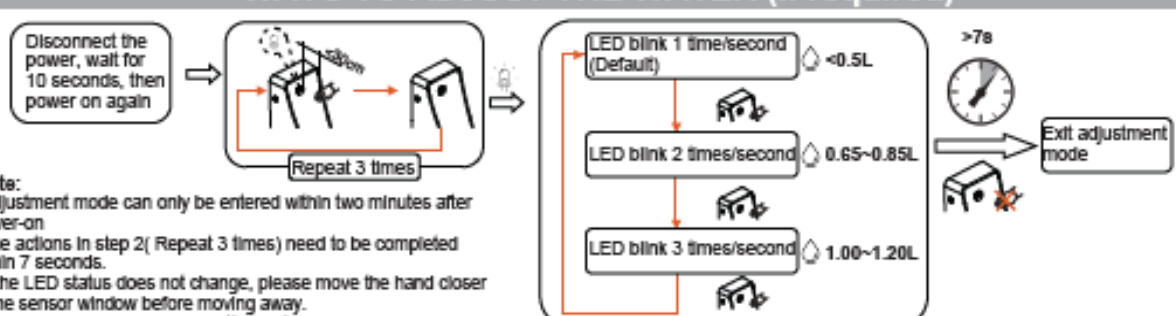




101275BW10

No.	Materialcode	Eng Description
1	MPO252	Sensor head
2	MPO256	Manual Override button
3	M120165	Trap
4	MPO253	Solenoid valve assy
5	MPO255	Control box
6	CADH6401-6DF-30	Urinal Outlet cover
7	M120166	Anti-thief strainer



BEFORE YOU BEGIN		NOTES
<ul style="list-style-type: none"> Thank you for selecting our products...products which have been the benchmarks of fine quality for years. To help ensure that the installation process will proceed smoothly, please read these instructions carefully before you begin. Also, review the recommended tools and materials list; carefully unpack and examine your new plumbing fixture. ALL INSTALLATION PROCEDURES MUST COMPLY IN STRICT ACCORDANCE WITH APPLICABLE LOCAL PLUMBING AND BUILDING CODE. Fragile products. Be careful to avoid the risk of product break or personal injury. Pictures may not exactly define contour of china and components 		<ul style="list-style-type: none"> Do not use heavy power to hit the product, avoid water leakage of product damage. Do not use the product when water temperature is below zero degree centigrade.  Please keep the clean sensitive area in front of sensor window before you power on.
BUTTON FLUSH TEST		SENSOR FLUSH TEST
		
WAYS TO ADJUST THE WATER (If required)		
 <p>Disconnect the power, wait for 10 seconds, then power on again</p> <p>Repeat 3 times</p> <p>Note: . Adjustment mode can only be entered within two minutes after power-on . The actions in step 2(Repeat 3 times) need to be completed within 7 seconds. . If the LED status does not change, please move the hand closer to the sensor window before moving away. . The flushing volume of each setting is the average value under the water pressure of 0.17MPa and 0.5MPa.</p>		
TROUBLE SHOOTING		
Problem	Reason	Instruction for solving
No Detection No Flush	a. No battery/battery run out/battery is installed incorrectly/no power supply b. Some object around the sensor is detected all the time c. Sensor window is dirty d. The connection is not connected correctly	a. Check the battery or the power supply b. Clear the object c. Clear the window d. Check the connection
Detect But No Flush	a. The stop valve is closed b. Some object around the sensor is detected all the time c. Sensor window is dirty	a. Open the valve b. Clear the object c. Clear the window
Low Flush Volume	a. The stop valve is not open entirely b. The filters are blocked c. Low water pressure	a. Open the valve entirely b. Clean the filters c. Check with local water supply department
Non-Stop Flushing	a. Battery run out b. The cables are cut off c. The solenoid is block	a. Check the battery b. Check the cables and the connection c. Clean the solenoid and the diaphragm
Press the button but no flush	a. Battery run out b. The adapter is not powered c. The button cable is not connected/poorly connected d. Button is broken	a. Check the battery b. Check the adapter cables and connection c. Check the button cable and connection d. Replace the button



SPECIFICATION	
Power Supply	DC8V 4pcs 1.5V AA Alkaline Battery / AC 100V-240V, 50/60Hz
Control Method	Infrared Induction / Manual button(electrical)
Starting Pressure	0.05Mpa(dynamic pressure) ~ 0.75Mpa(static pressure)
Pipe Size	G 1/2"
Environment Temperature	1°C ~ 55°C
Acceptable Water Temperature	1°C ~ 45°C
Sensing Time	>5 Seconds
Flush Method	one-time flush (after usage)
Flush Volume	≤0.5L (Static 0.17MPa and 0.55MPa average value)
Environment Protect	Urinal will flush once after idling for 24 hours
Stadium Mode	If the usage frequency of the urinal is high (i.e. less than 2 seconds interval between users), the urinal will flush once every 2minutes instead.
Cleaning mode	Press and hold the button for 5 seconds to enter this mode. After entering this mode, the LED flashes once every 3 seconds, the IR induction is invalid, and the button flushing is valid. After 10 minutes, it will automatically return to normal mode. Press and hold the button for 5 seconds in this mode to exit the cleaning mode in advance.

AQUA CERAMIC INSTRUCTION WHEN USING AQUA CERAMIC PROCESSED PRODUCTS

Please use neutral detergents (pH=5.5~7) or normal-use detergents for families which is acidic or alkaline. But in order to remain long-lasting effect of AQUACERAMIC, please DO NOT use the following detergents for ceramic because it will scratch the surface, glaze will be decayed.

- Strong alkaline detergent with pH>11.
- Detergent with polishing powder.
- Rubbing brushes with abrasion.

DO NOT use strong acidic detergents because it may damage to the parts .



SAFETY PRECAUTIONS

- Read the instructions carefully before beginning.
- If below cautions and notes are not compiled, serious safety accident may happen. Therefore, please follow strictly.
- After finishing installation, check out whether the product runs properly or not.
- If possible, customer should retain this instruction as reference in the future.

ATTENTION

- ⚠ Before installation, please check the product again whether there are cracks or breaks during delivery.
- ⚠ Be sure to test operation and check whether there are any cracks or breaks after installation.
- ⚠ Any product cracks may cause bodily injury, product damage or the leakage of dirt on floor.
- ⚠ Ensure that water pipes are flushed and cleaned before installing.

- ⊘ Do not overtighten bolts.
- ⊘ Ceramic products will easily crack, which may cause bodily injury to installing person or users.
- ⊘ Do not pour hot water over the ceramic basin. Otherwise, it could be broken.

CARE AND MAINTENANCE

Do not use any irritant or corrosive abrasives to clean product surface. A mild detergent, warm water and soft cloth can clean dirt on product surface and its accessories. Rinse thoroughly after cleaning and polishing with a soft dry cloth to recover product's original luster.

Notice:

Do not use any cleanser containing chlorine (sodium hypochlorite) in the tank, which will seriously damage accessories. LIXIL VIETNAM Corporation shall not be responsible or liable for such damage.

PRODUCT WARRANTY

If inspection of this product, within the warranty time after purchasing, confirms that its defective of a similar model under normal use in material or workmanship. We will repair or, at its option exchange the product.

The warranty does not cover the following:

1. None any documentary evidences to show the period of warranty such as receipt, warranty card,...
2. Consequential or incidental damages.
3. Defects or damages arising from shipping, installation, alteration, accidents, misuse or lack of proper maintenance.
4. Postage or shipping costs incurred in returning products for repair or replacement under this warranty and any labor or other costs of removal or installation of products under this warranty.
5. Discontinuous products.

Warranty details please confirm with distributors in each country!